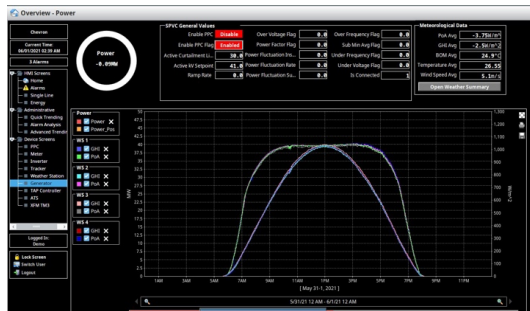


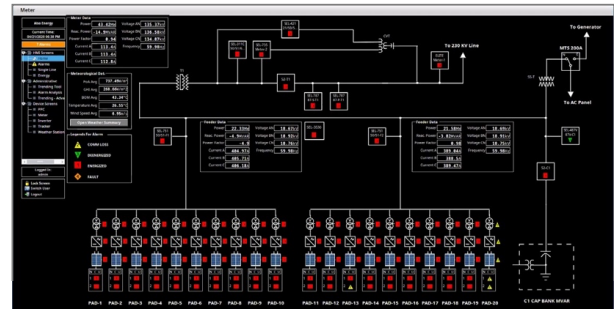
# PowerTrack SCADA

Empowering energy stakeholders to rapidly scale and confidently optimize the clean energy portfolios, AlsoEnergy provides an edge-to-cloud platform that drives insightful decisions that improve portfolio performance. At the edge, PowerTrack SCADA is a supervisory control and data acquisition solution that enables real-time monitoring, control, and analysis of all power plant equipment and sensor data, both on-site and remotely, through seamless integration with PowerTrack. Built on the industry-leading Ignition platform, PT SCADA offers a real-time HMI with tiered polling rates and built-in OPC-UA to connect to practically any PLC, and the ability to seamlessly connect to any SQL database.

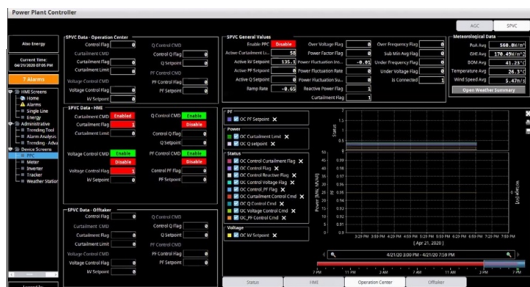
- Real-time updates (<1-sec data)
- OPC-UA server native capability for 3rd parties
- Tiered polling rates
- Hot standby redundancy
- Seamless integration with PowerTrack
- Standard and custom KPIs
- Long-term data storage
- At-a-glance device alarms, trending tools, and flexible data export
- Automatic data recovery from AlsoEnergy dataloggers after comms outage
- Drill down for relay, breaker, tracker, and inverter controls
- Integrated controls (communication with TSO) and control logs
- PPC mode change and custom input fields
- Alarm module (<1 sec activation time) with user-designated hierarchy



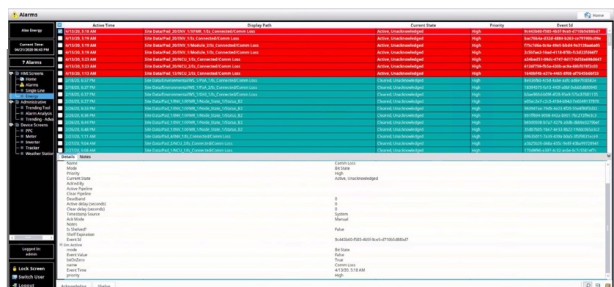
Visualize data to extract key insights more easily with fully customizable charts



At-a-glance view of site operations



Efficiently program and manage plant controllers all in one place



Prioritized alarms for existing hardware faults